

Please note that the data given here has been taken from the online catalog. For comprehensive information and data, please refer to the user documentation at <http://www.download.phoenixcontact.com>. The General Terms and Conditions of Use apply to Internet downloads.

## ► Extract from the online catalog



Flush-type connector M12, 4-pos., D-coded, for rear mounting, with Ethernet cable AWG 26 stranded (7-wire) and RJ45 connector, length: 1 m

Order No.	1656754
Ord designation	VS-DSIV-M12FSD/1,0-RJ45
EAN	4046356030069
Pack	1 Pcs.
Customs tariff	85444290
Weight/Piece	0.0923 KG
Catalog page information	Page 182 (PC-2007)

## ► Product notes

WEEE/RoHS-compliant since: 03/13/2006



**IMPORTANT :** This date is valid for Customers in Germany only. Date Format is MM/DD/YYYY. Please contact your local in-country Phoenix Contact location or designated business partner for a Logistics Compliant date in your area. In order to guarantee delivery of RoHS-Compliant product, please purchase Phoenix Contact parts from authorized Phoenix Contact representatives and distributors.

---

▶ **Technical data**

---

---

**Mechanical characteristics**

Ambient temperature (operation)	-20 °C ... 60 °C (cable, fixed installation)
Ambient temperature (operation)	0 °C ... 50 °C (cable, flexible installation)
Insertion/withdrawal cycles	≥ 100
Cable diameter	6.70 mm
Length of cable	1 m
Cable structure	2x2xAWG26/7; S-FTP
Smallest bending radius, fixed installation	35 mm
Smallest bending radius, movable installation	35 mm

---

**Material data**

Housing material	CuZn/PA
Outer sheath, material	PUR
External sheath, color	water blue RAL 5021
Degree of protection	IP67/IP20

---

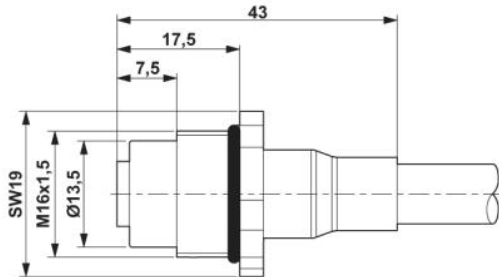
**Electrical characteristics**

Number of positions	4
Transmission characteristics (category)	CAT5 (IEC 11801:2002), CAT5e (TIA 568B:2001)

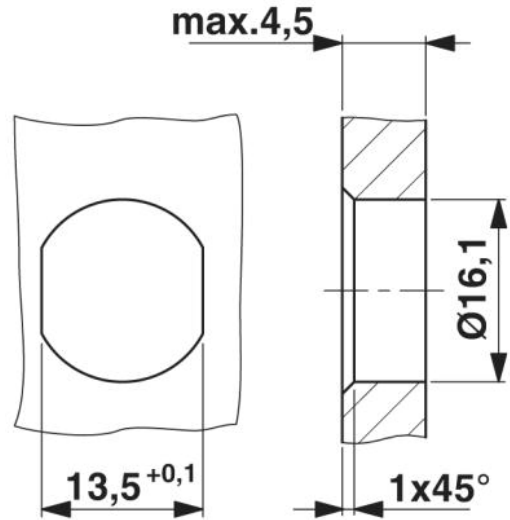
---

► Drawings

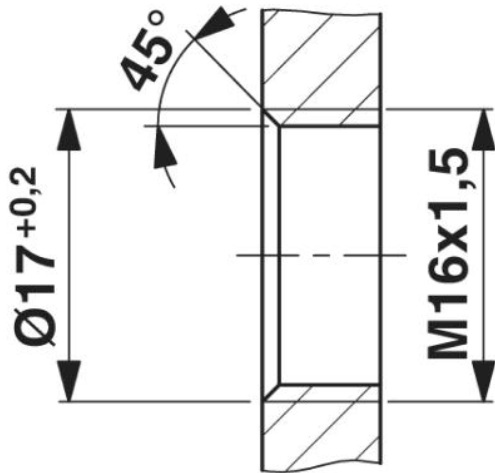
Dimensioned drawing



M12 flush-type connector

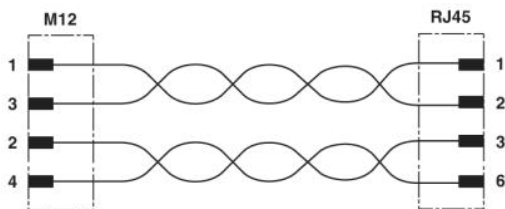


Mounting panel with feed-through hole

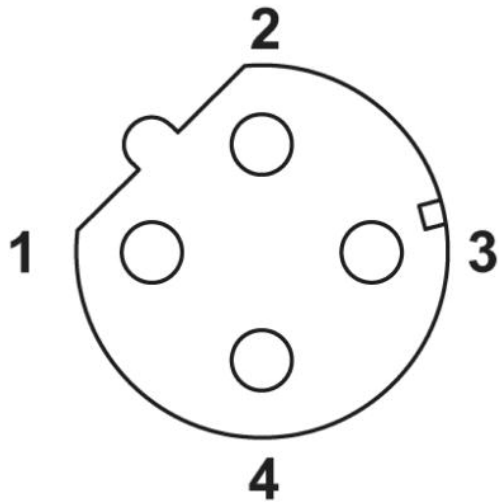


Mounting panel with thread

Circuit diagram



Schematic diagram



Pin assignment M12 female connector, 4-pos.,  
D-coded, female side

---

Logo

# Ethernet

---

---

## ► Address

---

PHOENIX CONTACT GmbH & Co. KG  
Flachsmarktstr. 8  
32825 Blomberg  
Germany  
Phone +49 5235 3 00  
Fax +49 5235 3 41200  
<http://www.phoenixcontact.de>  
Phoenix Contact  
Technical modifications reserved;